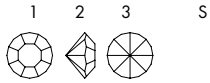
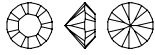


ROUND STONES

SUMMARY



1100
PP 0, 1



1028
PP 2, 3, 4, 5, 6, 7, 8, 9, 10, 11, 12, 13



1088
PP 14, 15, 16, 17, 18, 19, 20, 21, 22,
23, 24, 25, 26, 27, 28, 29, 30, 31, 32
SS 18, 19, 20, 21, 22, 24, 26, 28, 29,
30, 34, 35, 38, 39, 40, 45, 48, 50, 55



1122
SS 17, 24, 29, 34, 39, 47
12, 14, 16, 18 mm



1128
PP 32
SS 29, 39



1188
SS 17, 24, 29, 39



1201
27, 35 mm



1318
30, 55 mm



1357
SS 17, 29, 39
20, 50, 80 mm



DESIGNER EDITION

1681
12, 16 mm



DESIGNER EDITION

1695
10, 14 mm

1 Top view 2 Side view 3 Back view S Setting
• The logo position is marked by a red dot.

ROUND STONES

DESIGNER EDITION

ATELIER MUNSTEINER FOR SWAROVSKI

Vision Round Stone

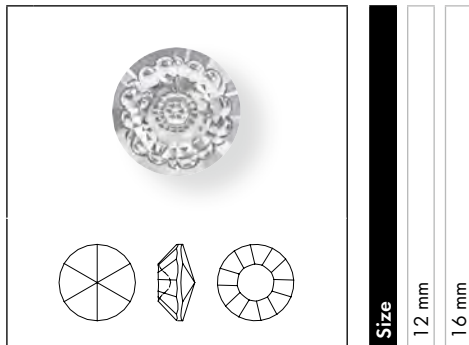
The new Vision Designer Edition marks the first ever collaboration between Swarovski and Atelier Munsteiner, a German design house renowned for its multi-award-winning gemstone cuts, fine jewelry, and sculptures. The family-owned company's third-generation master craftsmen have drawn upon many years of experience to develop this stunning crystal innovation exclusively for Swarovski.

The Vision Designer Edition combines the uncomplicated appeal of simple cuts with the playfulness of mirrored reflections. These ingeniously crafted design elements

bring to mind frozen water, with mysteriously encapsulated air bubbles forming a perfectly geometrical, flower-like shape within the crystal. It is available in three of the most popular shapes for Jewelry and Accessories – the round, square, and hexagon – offering endless design possibilities and making it ideal for use in Glamorous and Progressive creations.

It's the subtlety in the simplicity that makes this Designer Edition truly "VISIONARY."

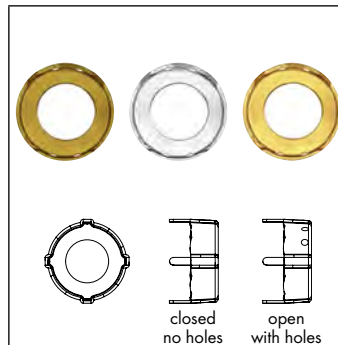
1681 Vision Round Stone



Size
12 mm
16 mm

| Crystal | 12 mm | 16 mm |
|-------------------------------------|-------|-------|
| Crystal F (001) | ■ | ■ |
| Colors | | |
| Plain Colors | | |
| Aquamarine F (202) | ■ | ■ |
| Erinite F (360) | ■ | ■ |
| Light Colorado Topaz F (246) | ■ | ■ |
| Light Peach F (362) | ■ | ■ |
| Light Siam F (227) | ■ | ■ |
| Rose F (209) | ■ | ■ |
| Smoky Mauve F (265) | ■ | ■ |
| Tanzanite F (539) | ■ | ■ |
| Crystal Effects | | |
| Transparent Effects | | |
| Crystal Antique Pink F (001 ANTP) | ■ | ■ |
| Crystal Astral Pink F (001 API) | ■ | ■ |
| Crystal Blue Shade F (001 BLSH) | ■ | ■ |
| Crystal Golden Shadow F (001 GSHA) | ■ | ■ |
| Crystal Luminous Green F (001 LUMG) | ■ | ■ |
| Crystal Silver Night F (001 SINI) | ■ | ■ |

1681/S



Size & color of plating
12 mm Unplated
16 mm Unplated
12 mm Rhodium
16 mm Rhodium
12 mm Gold
16 mm Gold

| Ring/Hole, Back Configuration | 12 mm Unplated | 16 mm Unplated | 12 mm Rhodium | 16 mm Rhodium | 12 mm Gold | 16 mm Gold |
|----------------------------------|----------------|----------------|---------------|---------------|------------|------------|
| 00 C = No ring/hole, closed | ■ | ■ | | | | |
| H2 O = 4 holes/2 each side, open | | | ■ | ■ | ■ | ■ |

ROUND STONES

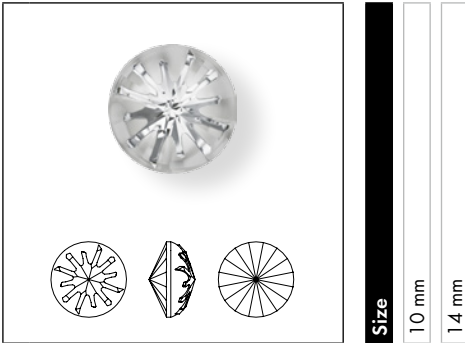
DESIGNER EDITION

OCEAN MYSTERIES DESIGNED
BY CÉLINE COUSTEAU

Design Story: A love for the sea runs through her veins: Céline Cousteau is a celebrated filmmaker, humanitarian, and environmentalist, and, as it so happens, the granddaughter of legendary ocean explorer Jacques Yves Cousteau. She presents her first ever crystal designs for Swarovski, inspired by one of her favorite places, the depths of the ocean. Taking inspiration from nature itself

and leaving its beauty unaltered, her stunningly life-like creatures are not only captivating and spellbinding, they also draw attention toward the mysterious, mostly unseen, and unexplored world beneath the ocean's surface on which all ocean life depends. These mysteries need to be protected for future generations, both above and below the water.

1695 Sea Urchin Round Stone partly frosted



Size

10 mm

14 mm

Crystal

Crystal F (001)

Colors

Plain Colors

Blush Rose F (257)

Tanzanite F (539)

Opal Colors

White Opal F (234)

Crystal Effects

Transparent Effects

Crystal AB F (001 AB)

Crystal Bermuda Blue F (001 BBL)

Crystal Blue Shade F (001 BLSH)

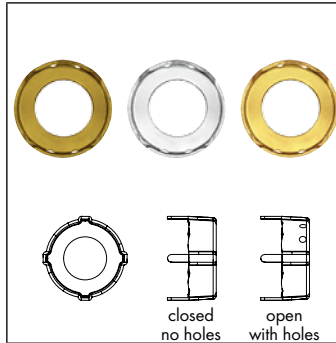
Crystal Golden Shadow F (001 GSHA)

Crystal Luminous Green F (001 LUMG)

Crystal Silver Night (001 SINI)

Crystal Silver Shade F (001 SSHA)

1695/S



Size & color of plating

10 mm Unplated

14 mm Unplated

10 mm Rhodium

14 mm Rhodium

10 mm Gold

14 mm Gold

Ring/Hole, Back Configuration

00 C = No ring/hole, closed

H2 O = 4 holes/2 each side, open